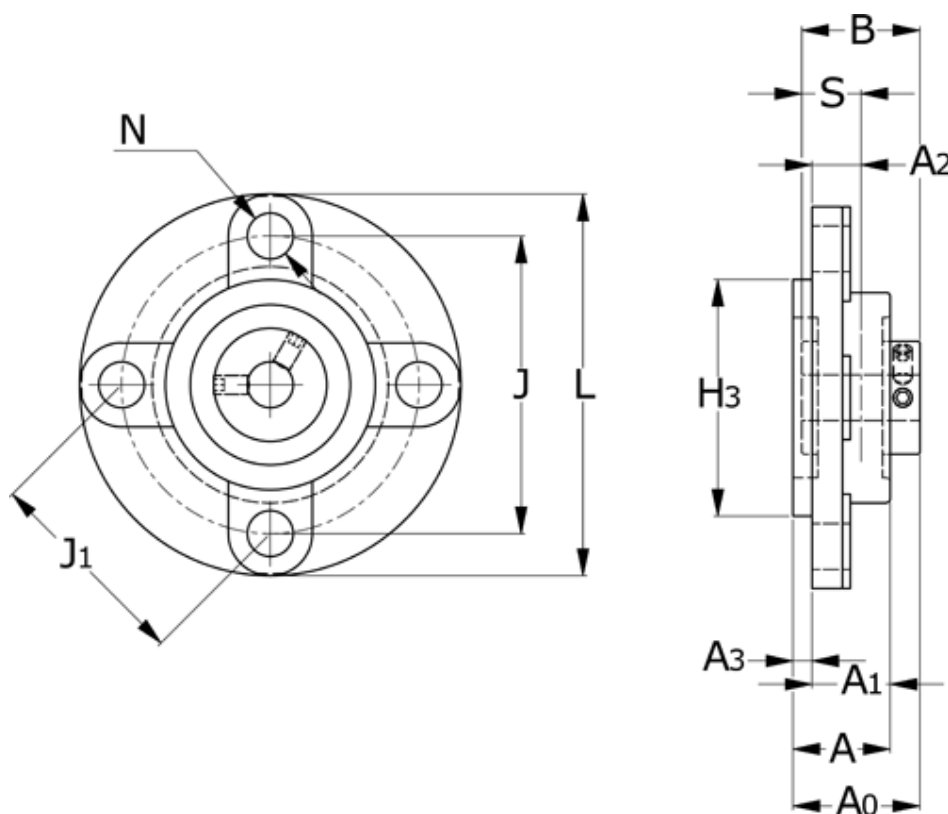


Article number: 5725027202

Description: NSK Cirkular flange unit UCFC202D1

Measures



A = 25.5	J1 = 55.1
A0 = 33.3	L = 100
A1 = 20.5	N = 12
A2 = 10	S = 12.7
A3 = 5	Shaft = 15
B = 31	
H3 = 62	
J = 78	